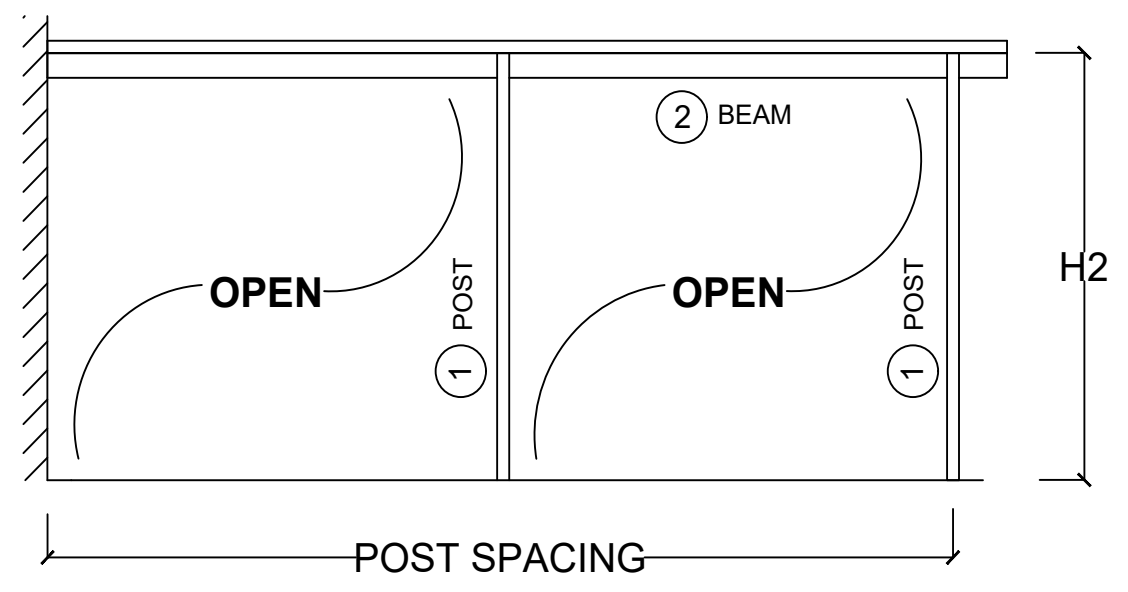
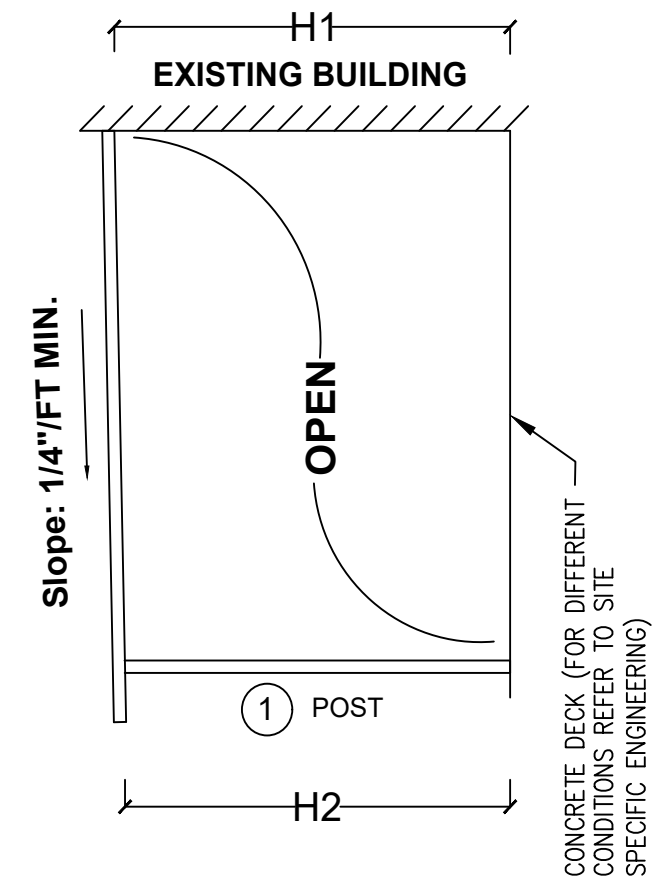
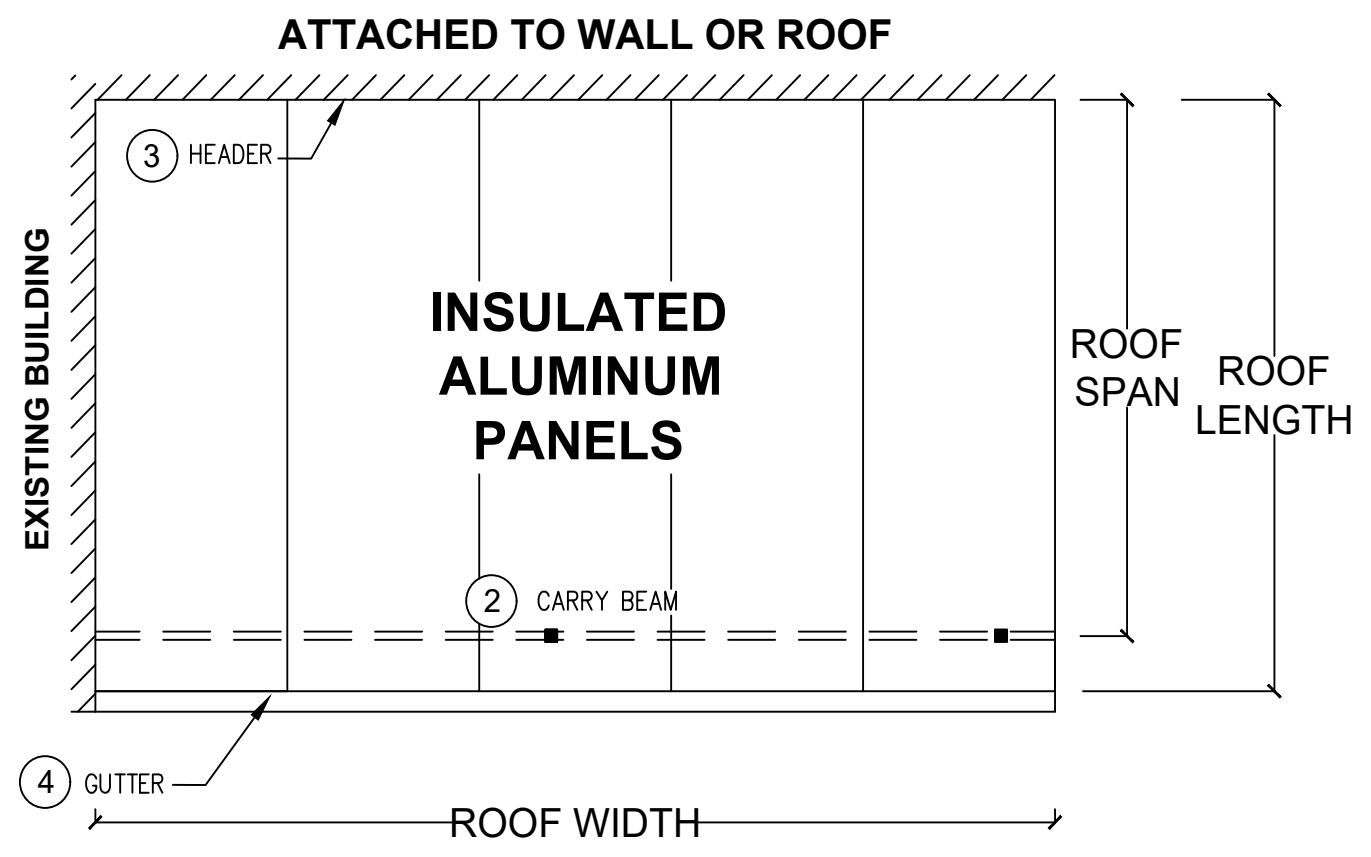
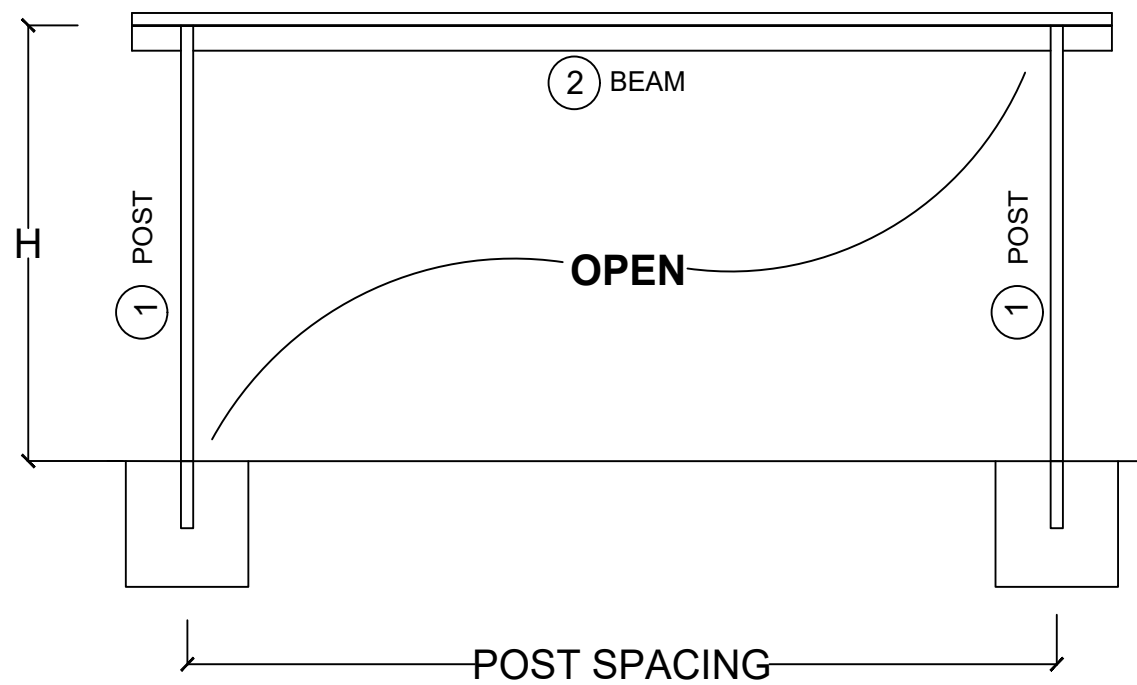
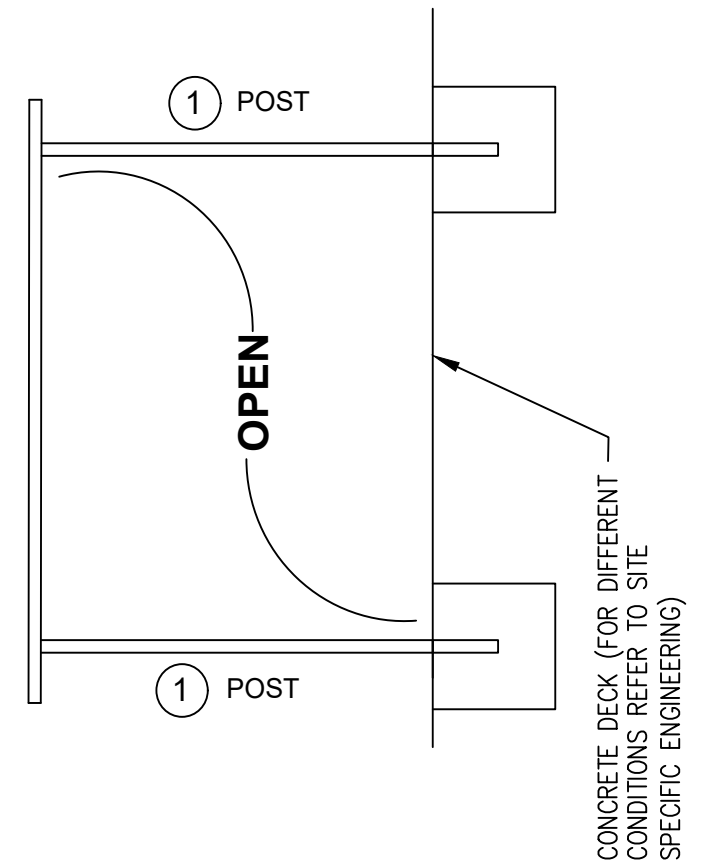
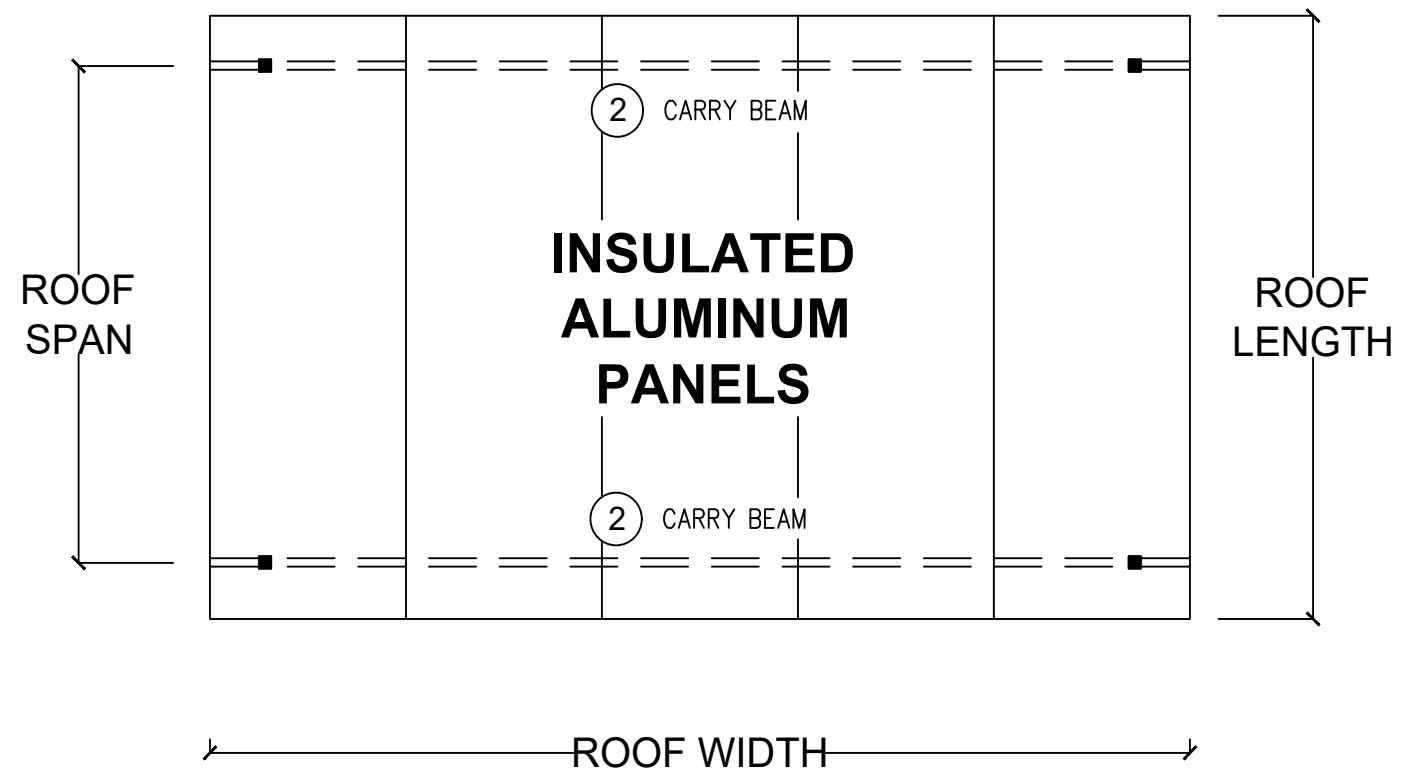


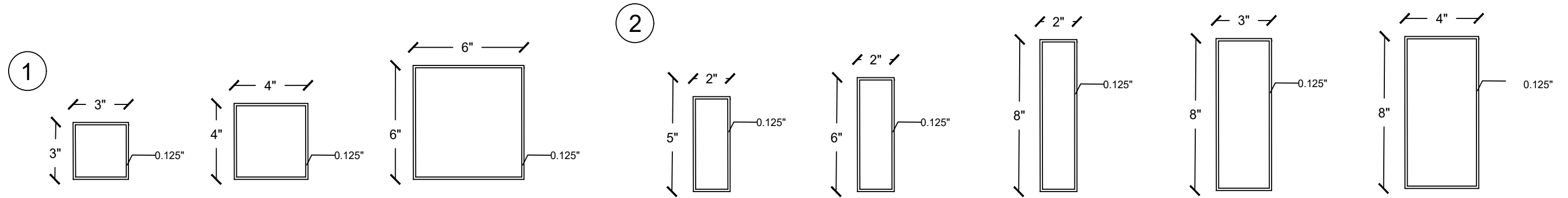
ATTACHED STRUCTURE



L-SHAPE STRUCTURE



FREESTANDING STRUCTURE



3" X 3" Post

4" X 4" Post

6" X 6" Post

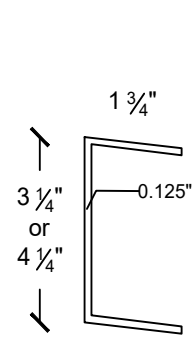
2" X 5" Beam

2" X 6" Beam

2" X 8" Beam

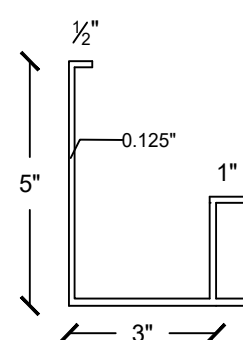
3" X 8" Beam

4" X 8" Beam



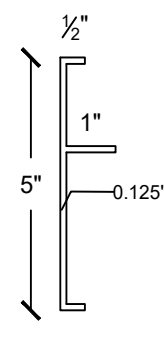
3

Header



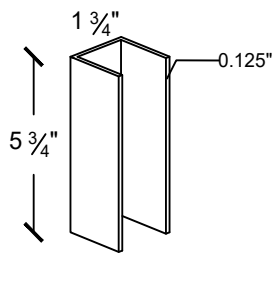
4

E-Gutter



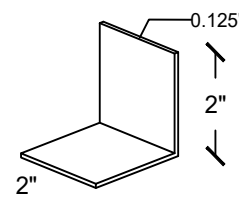
5

Fascia



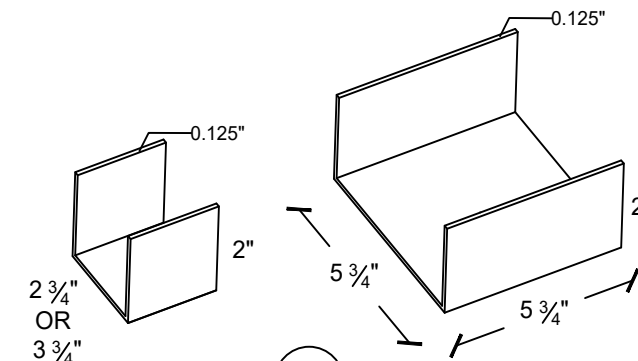
6

Receiving Channel



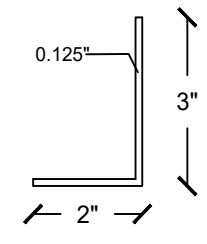
7

Angle Bracket



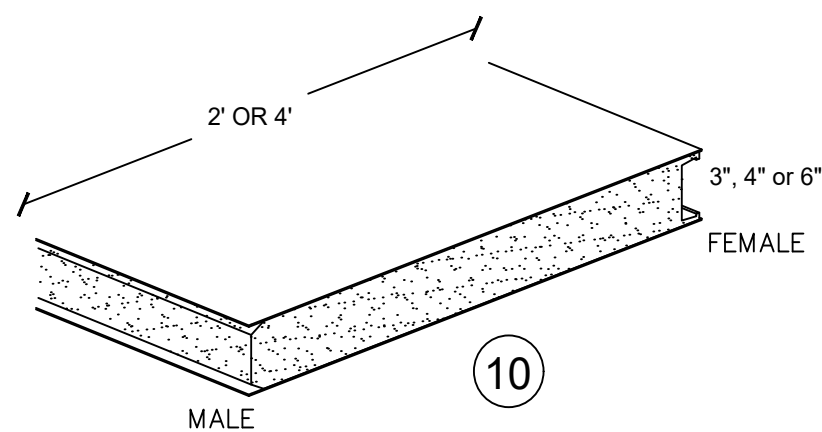
8

"U" Bracket



9

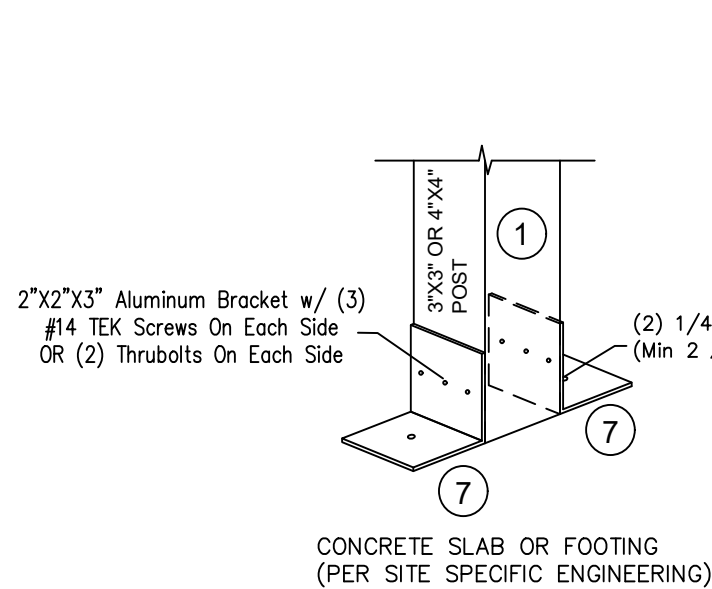
Clip Angle



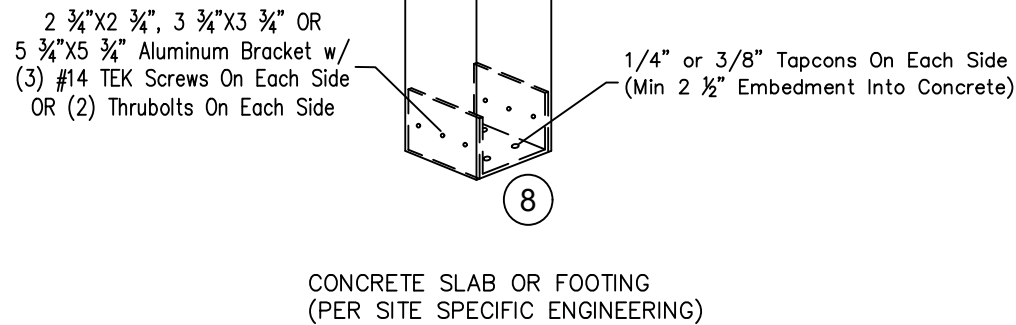
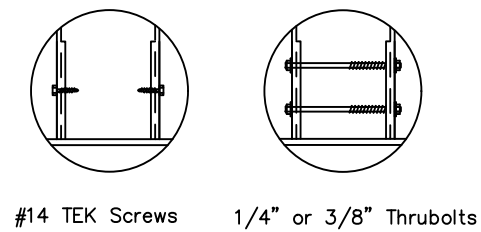
10

Insulated Aluminum Panel

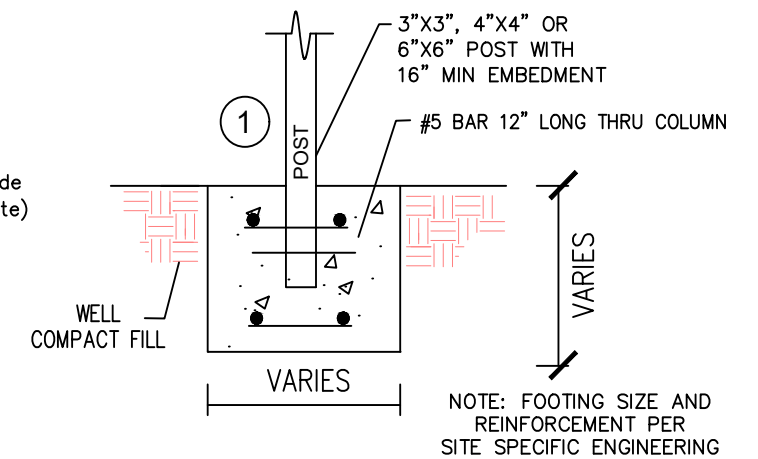
COMPONENTS



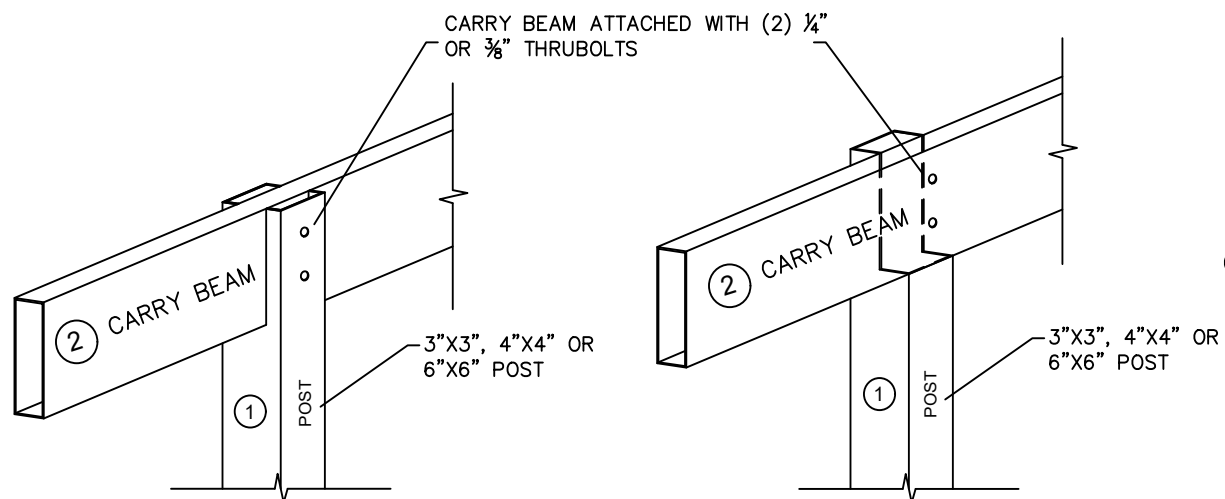
POST ATTACHMENT (ATTACHED)



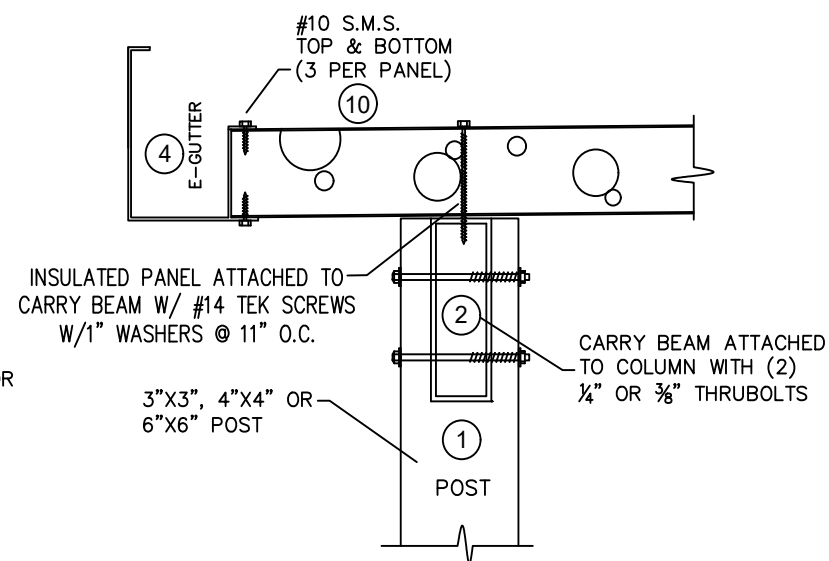
POST ATTACHMENT 2 (ATTACHED)



POST ATTACHMENT (FREESTANDING)

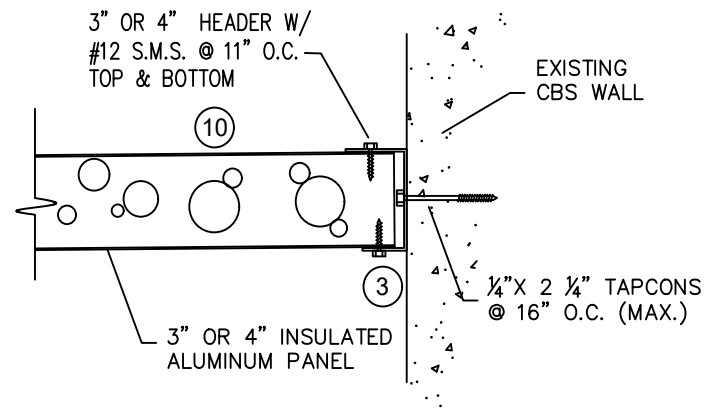


POST TO BEAM CONNECTIONS

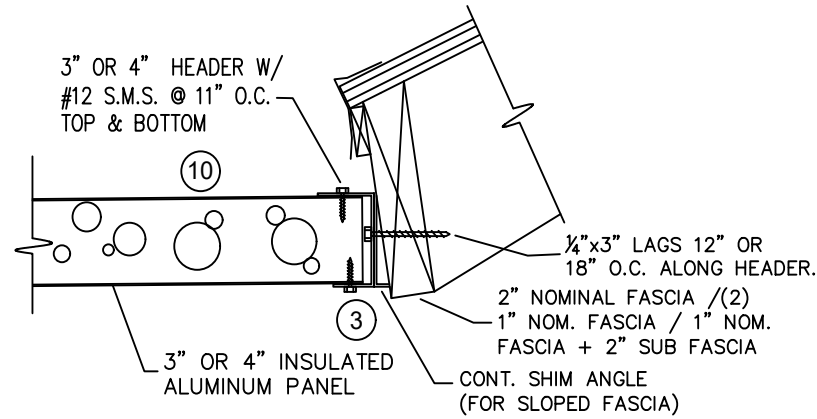


INSULATED PANEL, BEAM & POST ATTACHMENT

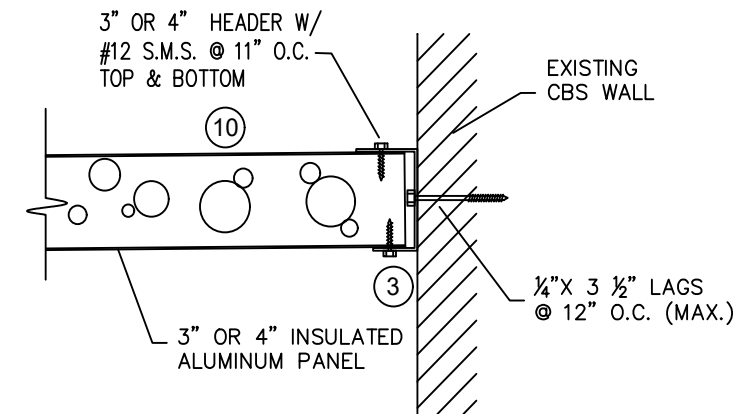
CONNECTIONS



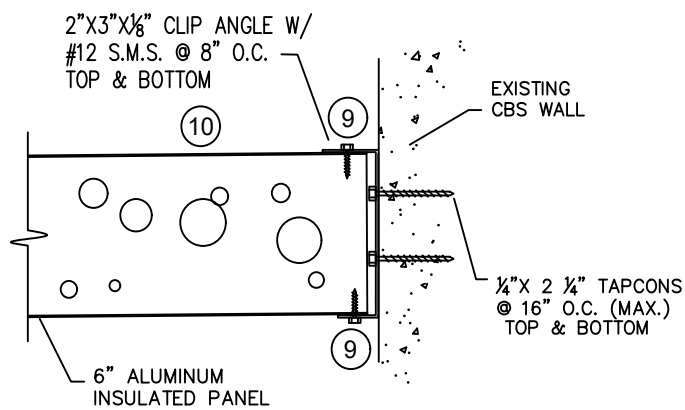
INSULATED PANEL TO CBS WALL



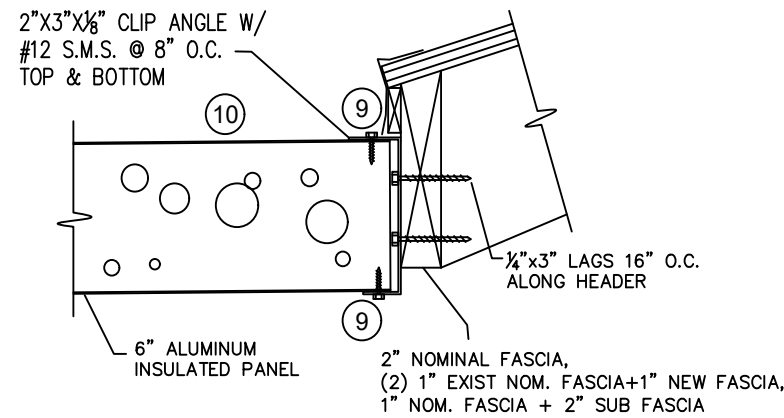
INSULATED PANEL TO FASCIA



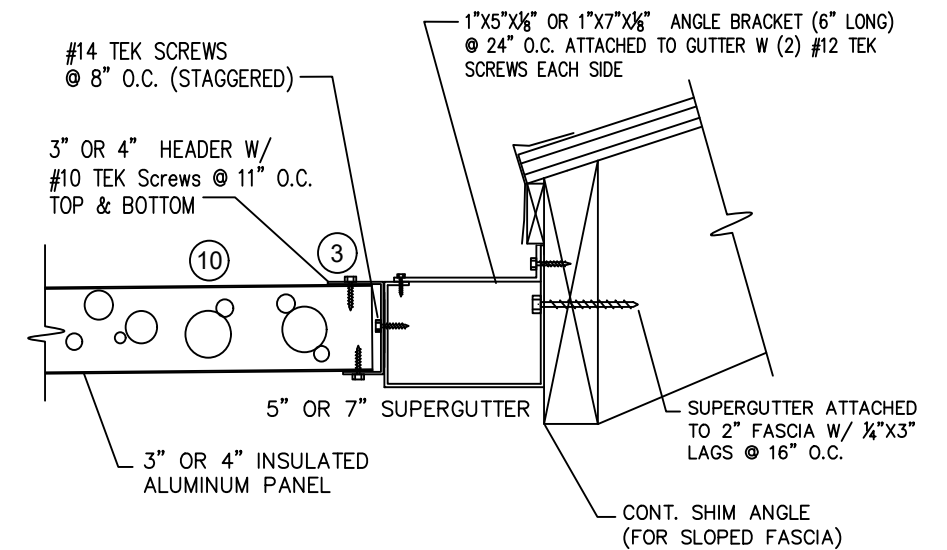
INSULATED PANEL TO FRAME WALL



6" INSULATED PANEL TO CBS WALL

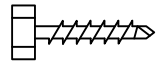


6" INSULATED PANEL TO FASCIA

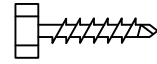


INSULATED PANEL TO SUPERGUTTER & FASCIA

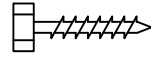
WALL & FASCIA CONNECTIONS



#12x1" TEK Screws



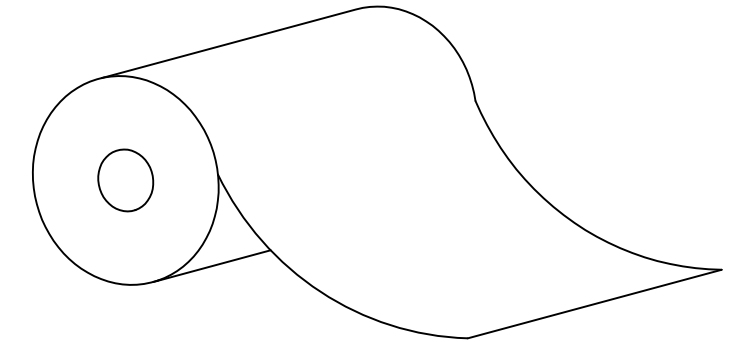
#14x1" TEK Screws



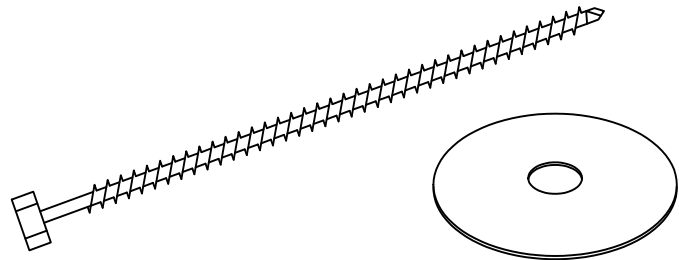
#12x1" S.M.S.



**Caulking
(White or Bronze)**

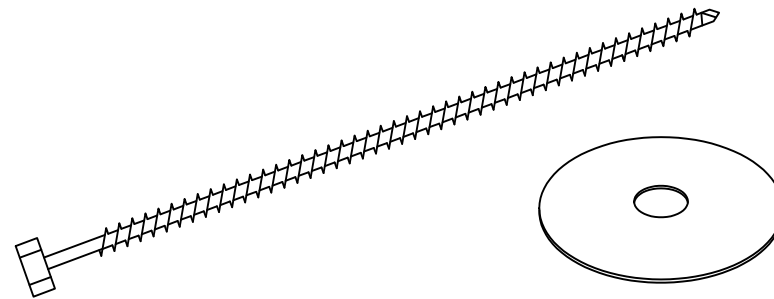


Peel & Seal



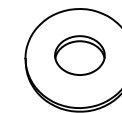
**#14x5" TEK Screws w/
Neoprene Washer**

FOR 3" INSULATED PANELS

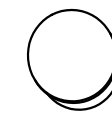


**#14x6" TEK Screws w/
Neoprene Washer**

FOR 4" INSULATED PANELS



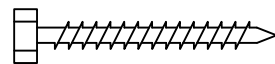
3/8" Washers



3/8" Plastic Caps



1/4"x2 1/4" Tapcon Screws



1/4"x2" Lag Screws



3/8"x3 1/2" Hex Bolts

HARDWARE