



MIAMI-DADE COUNTY
PRODUCT CONTROL SECTION
 11805 SW 26 Street, Room 208
 Miami, Florida 33175-2474
 T (786) 315-2590 F (786) 315-2599
www.miamidade.gov/building

DEPARTMENT OF REGULATORY AND ECONOMIC RESOURCES (RER)
 BOARD AND CODE ADMINISTRATION DIVISION
NOTICE OF ACCEPTANCE (NOA)

OmniMax Holdings, Inc.
4455 River Green Parkway
Duluth, GA 30096

SCOPE: This NOA is being issued under the applicable rules and regulations governing the use of construction materials. The documentation submitted has been reviewed and accepted by Miami-Dade County RER-Product Control Section to be used in Miami Dade County and other areas where allowed by the Authority Having Jurisdiction (AHJ).

This NOA shall not be valid after the expiration date stated below. The Miami-Dade County Product Control Section (In Miami Dade County) and/or the AHJ (in areas other than Miami Dade County) reserve the right to have this product or material tested for quality assurance purposes. If this product or material fails to perform in the accepted manner, the manufacturer will incur the expense of such testing and the AHJ may immediately revoke, modify, or suspend the use of such product or material within their jurisdiction. RER reserves the right to revoke this acceptance if it is determined by Miami-Dade County Product Control Section that this product or material fails to meet the requirements of the applicable building code.

This product is approved as described herein and has been designed to comply with the Florida Building Code, including the High Velocity Hurricane Zone.

DESCRIPTION: Equinox Aluminum Louvered Canopy – N.I.

APPROVAL DOCUMENT: Drawing No. EQ-MDC1, titled “Equinox Louvered Roof”, sheet 1 of 1, dated 01/07/2015, with last revision dated 03/24/21, prepared by Carl Putnam, P.E., signed and sealed by Carl Putnam, P.E., bearing the Miami-Dade County Product Control Revision stamp with the NOA number and expiration date by the Miami-Dade County Product Control Section.

MISSILE IMPACT RATING: None

LABELING: A permanent label with the manufacturer's name or logo, manufacturing plant’s city, state, model/ series, and the statement reading: "Miami-Dade County Product Control Approved", unless otherwise noted herein.

RENEWAL of this NOA shall be considered after a renewal application has been filed and there has been no change in the applicable building code negatively affecting the performance of this product.


TERMINATION of this NOA will occur after the expiration date or if there has been a revision or change in the materials, use, and/or manufacture of the product or process. Misuse of this NOA as an endorsement of any product, for sales, advertising or any other purposes shall automatically terminate this NOA. Failure to comply with any section of this NOA shall be cause for termination and removal of NOA.

ADVERTISEMENT: The NOA number preceded by the words Miami-Dade County, Florida, and followed by the expiration date may be displayed in advertising literature. If any portion of the NOA is displayed, then it shall be done in its entirety.

INSPECTION: A copy of this entire NOA shall be provided to the user by the manufacturer or its distributors and shall be available for inspection at the job site at the request of the Building Official. This NOA revises NOA No. 20-0722.03 and consists of this page 1 and evidence pages E-1 and E-2, as well as approval document mentioned above.

The submitted documentation was reviewed by **Manuel Perez, P.E.**




 12/22/21

NOA No. 21-1117.06
 Expiration Date: September 17, 2025
 Approval Date: December 30, 2021
 Page 1

NOTICE OF ACCEPTANCE: EVIDENCE SUBMITTED

1. EVIDENCE SUBMITTED UNDER PREVIOUS NOA's

A. DRAWINGS

1. Manufacturer's die drawings and sections.
(Submitted under NOA No. 15-0406.01)
2. Drawing No. **EQ-MDC1**, titled "Equinox Louvered Roof", sheet 1 of 1, dated 07/21/15, with last revision dated 01/07/15, prepared by Carl Putnam, P.E., signed and sealed by Carl Putnam, P.E.
(Submitted under NOA No. 20-0722.03)

B. TESTS

1. Test reports on: 1) Uniform Static Air Pressure Test, Loading per FBC, TAS 202-94 with marked-up drawings and installation diagram of Equinox Aluminum Louver System, prepared by Intertek/Architectural Testing, Inc, Report No. **D7097.01-109-18**, dated 09/24/14, with Revision 3 dated 03/19/15, signed and sealed by Michael D. Stremmel, P.E.
(Submitted under NOA No. 15-0406.01)

C. CALCULATIONS

1. Structural load calculations prepared by Carl Putnam, P.E., dated 03/20/15, signed and sealed by Carl Putnam, P.E.
(Submitted under NOA No. 15-0406.01)

D. QUALITY ASSURANCE

1. Miami-Dade Department of Regulatory and Economic Resources (RER)

E. MATERIAL CERTIFICATIONS

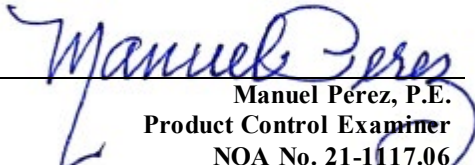
1. None.

F. STATEMENTS

1. Statement letter of code conformance, complying with the **FBC 6th Edition (2017)**, dated 07/14/20, issued by Carl Putnam, P.E., signed and sealed by Carl Putnam, P.E.
(Submitted under NOA No. 20-0722.03)

G. OTHERS

1. Notice of Acceptance No. **17-0724.09**, issued to OmniMax Holdings, Inc. for their Equinox Aluminum Louvered Sun Shade, approved on 01/11/17 and expiring on 09/17/20.


Manuel Pérez, P.E.
Product Control Examiner
NOA No. 21-1117.06
Expiration Date: September 17, 2025
Approval Date: December 30, 2021

NOTICE OF ACCEPTANCE: EVIDENCE SUBMITTED

2. NEW EVIDENCE SUBMITTED

A. DRAWINGS

1. Drawing No. **EQ-MDC1**, titled "Equinox Louvered Roof", sheet 1 of 1, dated 01/07/15, with last revision dated 03/24/21, prepared by Carl Putnam, P.E., signed and sealed by Carl Putnam, P.E.

B. TESTS

1. None.

C. CALCULATIONS

1. None.

D. QUALITY ASSURANCE

1. Miami-Dade Department of Regulatory and Economic Resources (RER)

E. MATERIAL CERTIFICATIONS

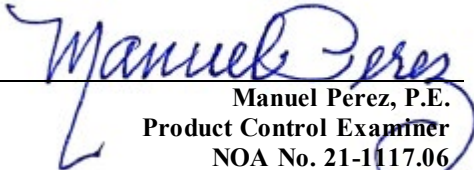
1. None.

F. STATEMENTS

1. Statement letter of code conformance, complying with the **FBC 7th Edition (2020)**, dated 03/24/21, issued by Carl Putnam, P.E., signed and sealed by Carl Putnam, P.E.

G. OTHERS

1. Notice of Acceptance No. **20-0722.03**, issued to OmniMax Holdings, Inc. for their Equinox Aluminum Louvered Canopy, approved on 10/01/20 and expiring on 09/17/25.



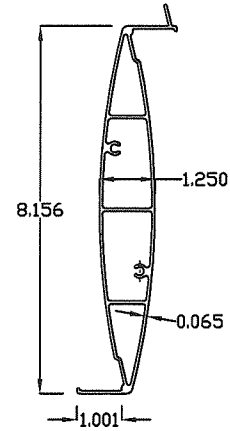
Manuel Pérez, P.E.
Product Control Examiner
NOA No. 21-1117.06

Expiration Date: September 17, 2025
Approval Date: December 30, 2021

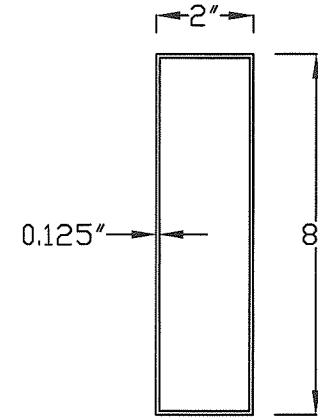
Notes:

1. The supporting framework or structure (including the 2x8 aluminum box headers) is to be designed by a Florida licensed design professional.
2. Deflections in HVHZ for R-3 structures under 12' ROOF PROJECTION are limited by L/80 as per 2020 FBC 1616.3.1 #8.
3. Deflections in HVHZ for ROOF PROJECTIONS (e.g. multispan) over 12' are limited by L/180 as per 2020 FBC Section 1616.3.1 #7
4. The weight of the Equinox Louvers is 1.9 plf or 2.9 psf.
5. This product is to be used for exterior shade structures, such as patio covers, carports, outdoor dining areas and similar.
6. Span is the louver length plus the aluminum mounting rail on both sides, this is usually the inside to inside dimension of the supporting headers/framework. See Detail F6.

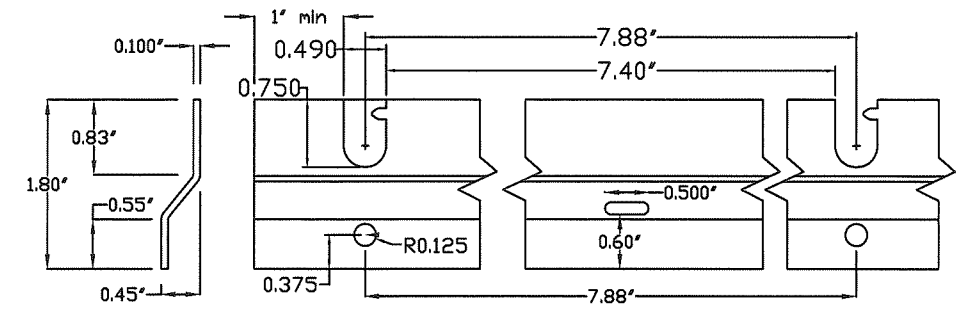
DETAIL F1
EXTRUDED 6063T6
ALUMINUM LOUVER



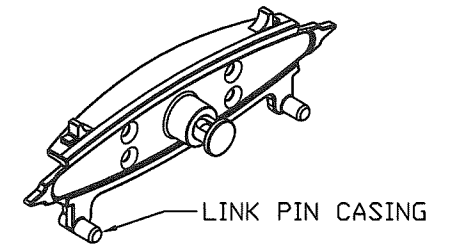
DETAIL F2
2"x8" EQUINOX HEADER AND
RETURN BEAM
(6061-T6 ALUM. ALLOY)



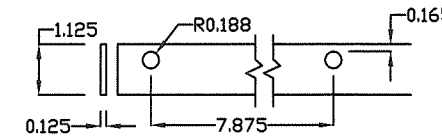
DETAIL F3
EQUINOX LOUVER
MOUNTING RAIL
0.100" 6005A-T5 ALUM



DETAIL F5
CAST ALUMINUM A380
END CAP

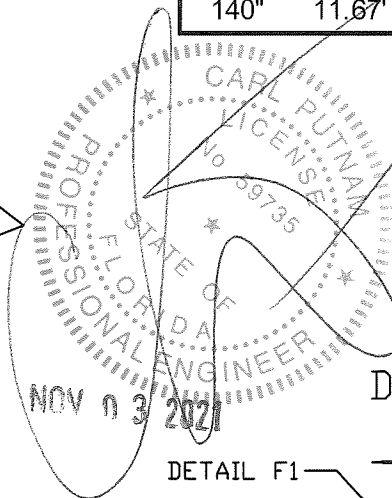
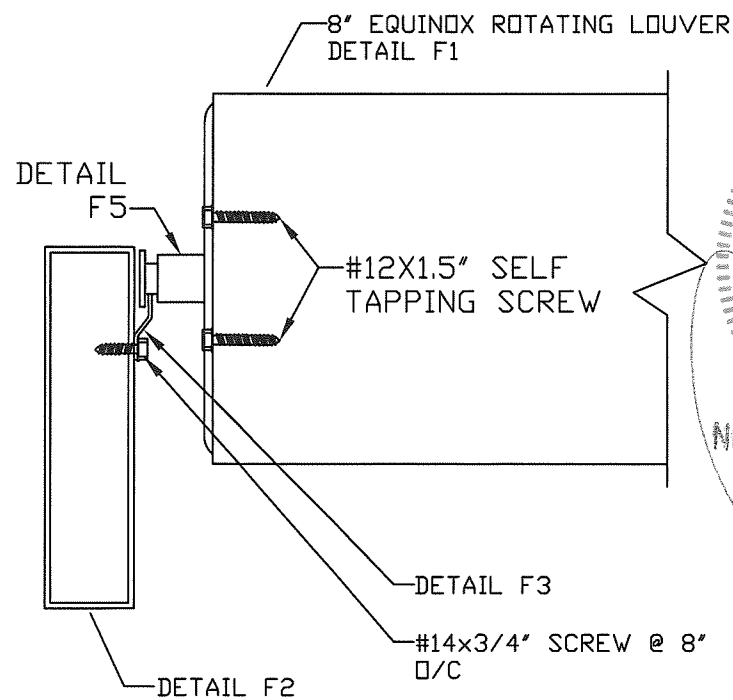


DETAIL F7
LINK BAR
6061T6 ALUM

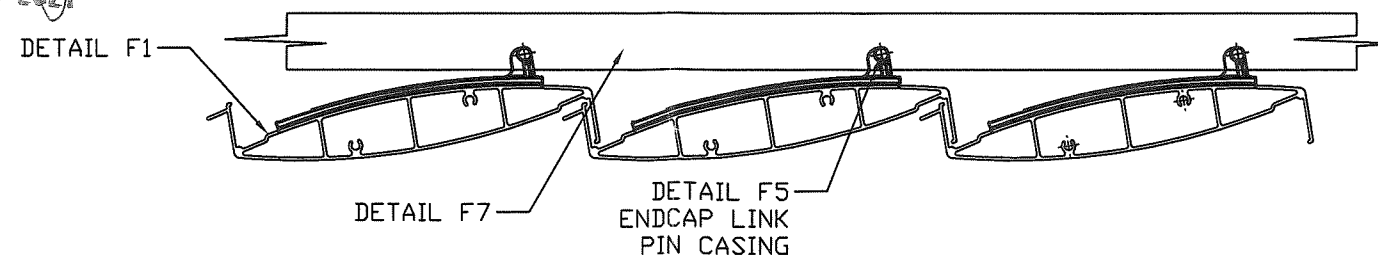


Equinox Louver Span		Deflection Limits (Span / #)			
		L/80	L/180	L/80	L/180
(in)	(ft)	Allowable Uplift Pressures (psf)		Allowable Down/ Gravity Pressures (psf)	
92"	7.67'	80.5	36.7	75.9	32.1
98"	8.17'	66.9	30.7	62.3	26.1
104"	8.67'	56.3	26.0	51.7	21.4
110"	9.17'	47.8	22.2	43.2	17.6
116"	9.67'	41.0	19.2	36.4	14.6
122"	10.17'	35.5	16.7	30.9	12.1
128"	10.67'	31.0	14.7	26.4	10.1
134"	11.17'	27.2	13.1	22.6	8.5
140"	11.67'	24.1	11.7	19.5	7.1

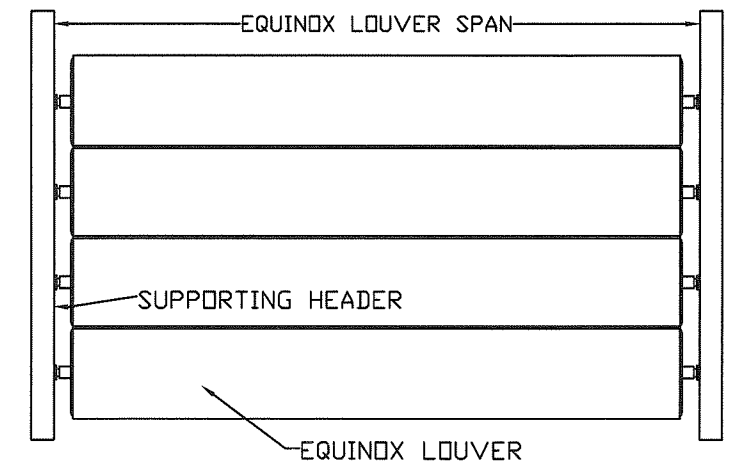
DETAIL F4
EQUINOX LOUVER TO MOUNTING
RAIL TO HEADER CONNECTION



DETAIL F8 ASSEMBLED LOUVERS W/ LINK BAR



DETAIL F6
EQUINOX LOUVER SPAN



PRODUCT REVISED
as complying with the Florida
Building Code
NOA-No. **21-1117.06**
Expiration Date: **09/17/2025**
By: *Manuel Perez*
Miami-Dade Product Control

Product Drawing # EQ-MDC1
Equinox Louvered Roof

DATE	DRAWN BY	CARL PUTNAM P.E. FL #59735	3441 IVYLINK PLACE LYNCHBURG, VA 24503 (434) 384-2514 CARL.PUTNAM@COMCAST.NET
1/7/15	CMP		
7/18/17	CMP	Omnimax	4455 Rivergreen Pkwy Duluth, GA 30096
5/8/18	CMP	International, Inc.	(770) 449-6818
3/24/21	CMP	FILE EquinoxPlans2020FBC_MDC.dwg	Page 1 of 1